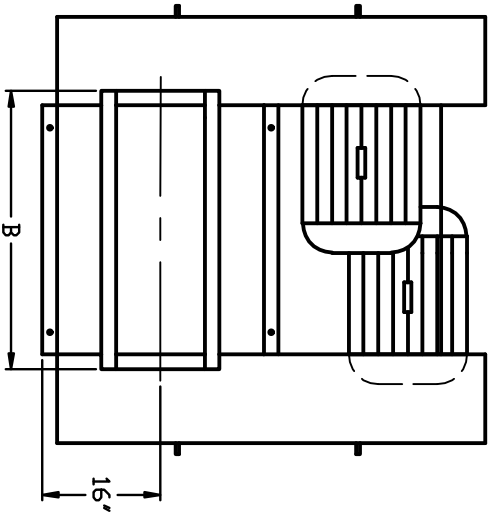
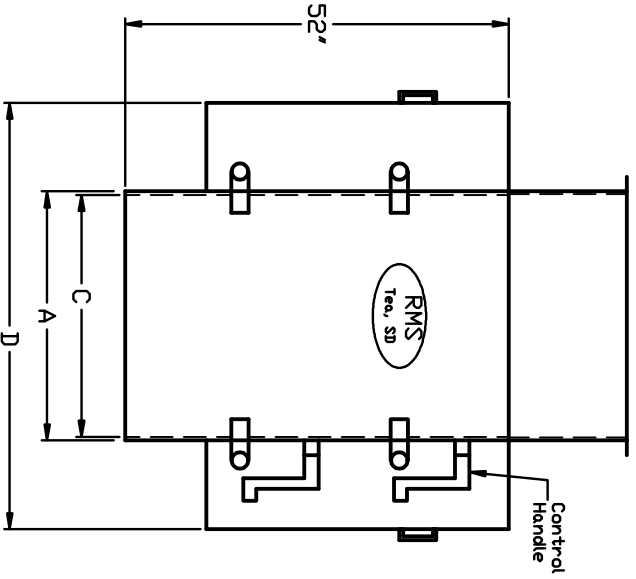


Top View

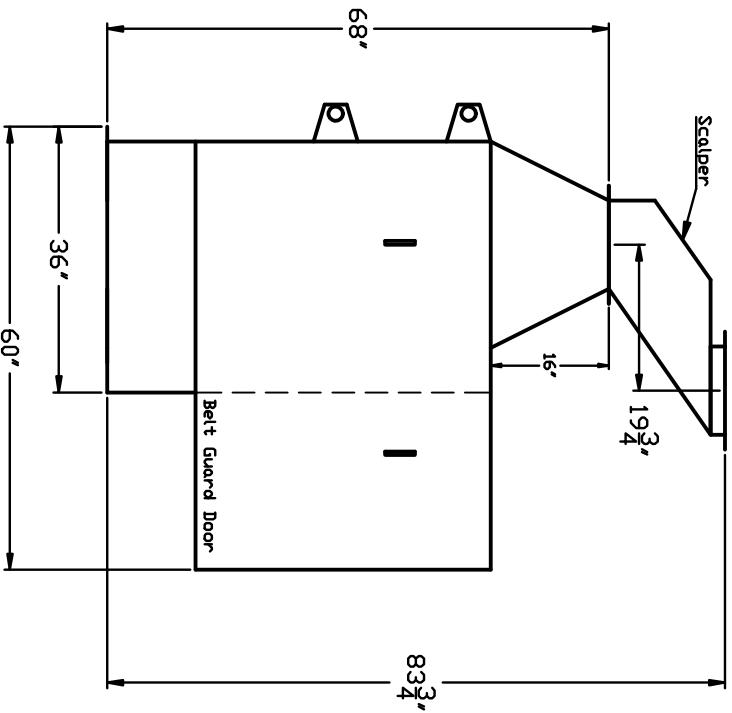


Front View



MILL SIZE	A	B	C	D
24"	26 3/4"	30 3/4"	25 1/2"	50 3/4"
30"	32 3/4"	36 3/4"	31 1/2"	56 3/4"
36"	38 3/4"	42 3/4"	37 1/2"	62 3/4"
42"	44 3/4"	48 3/4"	43 1/2"	72 3/4"
52"	54 3/4"	58 3/4"	53 1/2"	82 3/4"
72"	74 3/4"	78 3/4"	73 1/2"	102 3/4"

Side View



Note: Bottom Hopper is built to customer specifications.

RMS Roller Grinder Inc.

2716 GRUMLAND AVENUE
TEA, SD 57064-6115
Phone: 888-285-8337

Description: Industrial Mill Outline